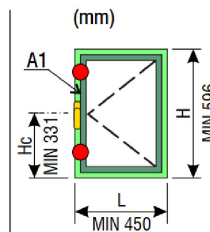
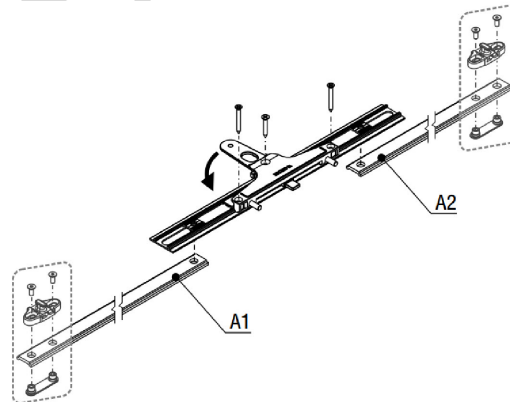
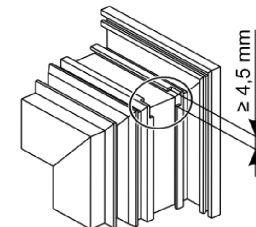
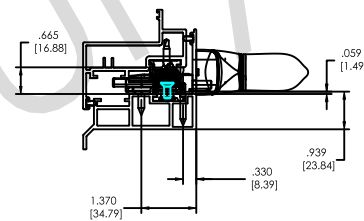
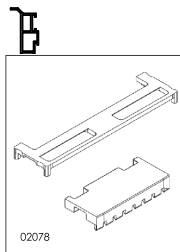
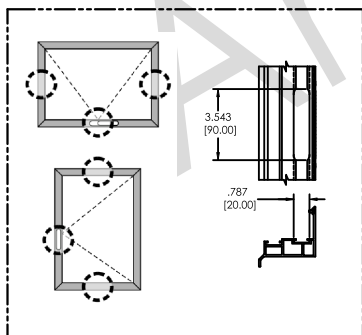


	Description	Item code	Length of mechanism mm	Length of mechanism inches	Pieces per box	
<b>A</b>	Mechanism	OS Operator 2.0 basic mechanism	02009 000	317	12-1/8"	10
<b>B</b>	Arm	OS Operator arm - nylon slide - 172	02054 000	172	6 3/4"	10
		OS Operator arm - nylon slide - 152	02055 000	152	6"	10
		OS Operator arm - aluminum slide - 172	02064 000	172	6 3/4"	10
		OS Operator arm - aluminum slide - 152	02065 000	152	6"	10
<b>C</b>	Cremone	Unica cremone	01171...	120	4 23/32"	10
		Unica key cremone	01172...	120	4 23/32"	10
		Long handle cremone	01128...	172	6 25/32"	10
		Away cremone (detachable handle)	01127...	/	/	10
	Handle for Unica Away cremone	01129...	172	6 25/32"	10	
<b>D</b>	Locking point	Locking point (pawl + keeper)	02067 000			10
<b>E</b>	Connection rod	Rod out from bulk roll, for 15/20 groove	03524 590 N (black)	200 m	656.17 ft	1
		Rod out from bulk roll, for 15/20 groove	03524 542 N (grey)	200 m	656.17 ft	1
Other items		Gasket for Unica cremone	08951 000			100
		Set of wrenches for fixing OS Operator hardware	02003 000			20

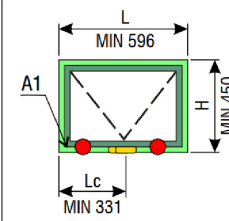
Note: for codes containing the characters "...", finish designation required.

ITEM NUMBER	DESCRIPTION	QTY
02009	OS Operator 2.0 basic mechanism	10



$$A1 = Hc - 146$$

$$A2 = H - Hc - 142$$



$$A1 = Lc - 146$$

$$A2 = L - Lc - 142$$